

Service
Service
Service



Service Manual



TABLE OF CONTENTS

	Page
Technical specification	1-2
Service measurement setup.....	1-3
Service aids	1-4
Safety instructions □.....	2-1
Set Block diagram.....	3-1
Set Wiring diagram	4-1
Disassembly diagram	5-1
Circuit diagram.....	6-1..6-4
Layout diagram.....	6-5..6-7
Mechanical Exploded view.....	7-1

**CLASS 1
LASER PRODUCT**

© Copyright 2010 Philips Consumer Electronics B.V. Eindhoven, The Netherlands
All rights reserved. No part of this publication may be reproduced, stored in a retrieval system or transmitted, in any form or by any means, electronic, mechanical, photocopying, or otherwise without the prior permission of Philips.

Published by LX 1052 Service Audio

Printed in The Netherlands

Subject to modification

3141 785 35454

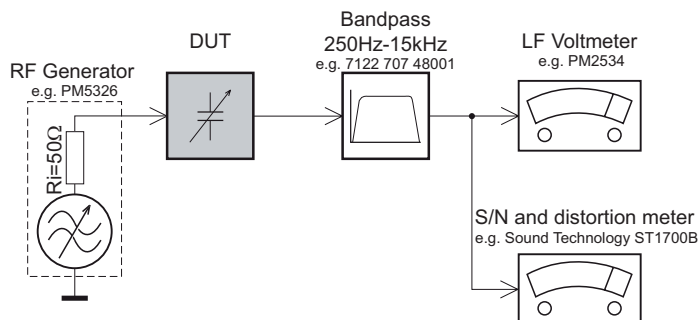
Version 1.4



PHILIPS

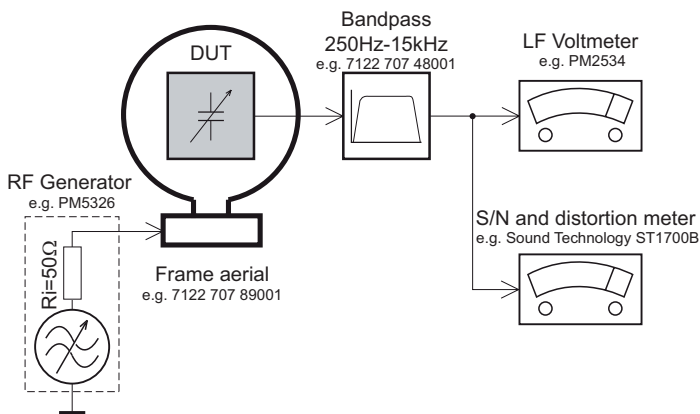
MEASUREMENT SETUP

Tuner FM



Use a bandpass filter to eliminate hum (50Hz, 100Hz) and disturbance from the pilotone (19kHz, 38kHz).

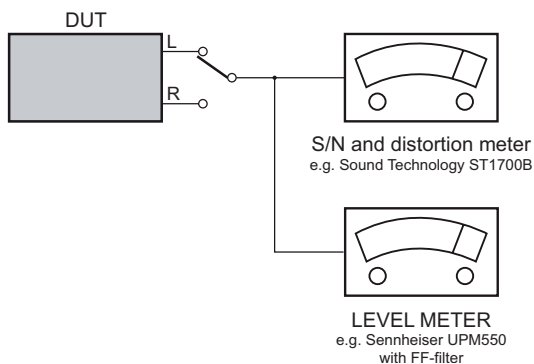
Tuner AM (MW,LW)



To avoid atmospheric interference all AM-measurements have to be carried out in a Faraday's cage. Use a bandpass filter (or at least a high pass filter with 250Hz) to eliminate hum (50Hz, 100Hz).

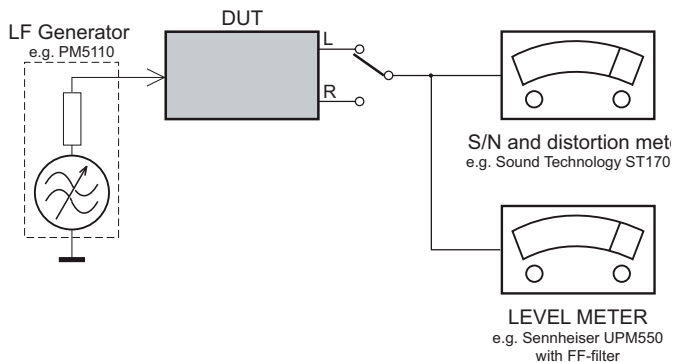
CD

Use Audio Signal Disc SBC429 4822 397 30184
(replaces test disc 3)



Recorder

Use Universal Test Cassette **Cr02** SBC419 4822 397 30069
or Universal Test Cassette **Fe** SBC420 4822 397 30071



SERVICE AIDS

GB WARNING

All ICs and many other semi-conductors are susceptible to electrostatic discharges (ESD). Careless handling during repair can reduce life drastically.

When repairing, make sure that you are connected with the same potential as the mass of the set via a wrist wrap with resistance. Keep components and tools also at this potential.

ESD



GB

Safety regulations require that the set be restored to its original condition and that parts which are identical with those specified, be used

Safety components are marked by the symbol Δ .

**CLASS 1
LASER PRODUCT**

INFORMATION ABOUT LEAD-FREE SOLDERING

Philips CE is producing lead-free sets from 1.1.2005 onwards.

IDENTIFICATION:

Regardless of special logo (not always indicated) one must treat all sets from 1 Jan 2005 onwards, according next rules:



- On our website www.atyourservice.ce.Philips.com you find more information to:
 - * BGA-de-/soldering (+ baking instructions)
 - * Heating-profiles of BGAs and other ICs used in Philips-sets
 - * Lead free

You will find this and more technical information within the "magazine", chapter "workshop news".

For additional questions please contact your local repair-helpdesk.

SERVICE INSTRUCTION

Safety regulations require that after a repair, the set must be returned in its original condition. Pay in particular attention to the following points:

- Route the wire trees correctly and fix them with the mounted cable clamps.
- Check the insulation of the AC Power lead for external damage.
- Check the strain relief of the AC Power cord for proper function.
- Check the electrical DC resistance between the AC Power Plug and the secondary side (only for sets which have a AC Power isolated power supply):
 1. Unplug the AC Power cord and connect a wire between the two pins of the AC Power plug.
 2. Set the AC Power switch to the "on" position (keep the AC Power cord unplugged!).
 3. Measure the resistance value between the pins of the AC Power plug and the metal shielding of the tuner or the aerial connection on the set. The reading should be larger than 4.5 Mohm (For U.S. it should be between 4.2 Mohm and 12 Mohm).
 4. Switch "off" the set, and remove the wire between the two pins of the AC Power plug.
- Check the cabinet for defects, to avoid touching of any inner parts by the customer.

2.1 SAFETY INSTRUCTIONS

Battery Handling Guideline

Since the battery is packed in soft package, to ensure its better performance, it's very important to carefully handle the battery

2.1.1 Soft Aluminium foil

The soft aluminum packing foil is very easily damaged by sharp edge parts such as Ni-tabs, pins and needles.

- Don't strike battery with any sharp edge parts
- Trim your nail or wear glove before taking battery
- Clean worktable to make sure no any sharp particle



2.1.2 Sealed edge

Sealing edge is very flimsy

- Don't bend or fold sealing edge



2.1.3 Folding edge

The folding edge is form in battery process and passed all hermetic test.

- Don't open or deform folding edge



2.1.4 Tabs

The battery tabs are not so stubborn especially for aluminum tab.

- Don't bend tab



2.1.5 Mechanical shock

- Don't Fall, hit, bend battery body



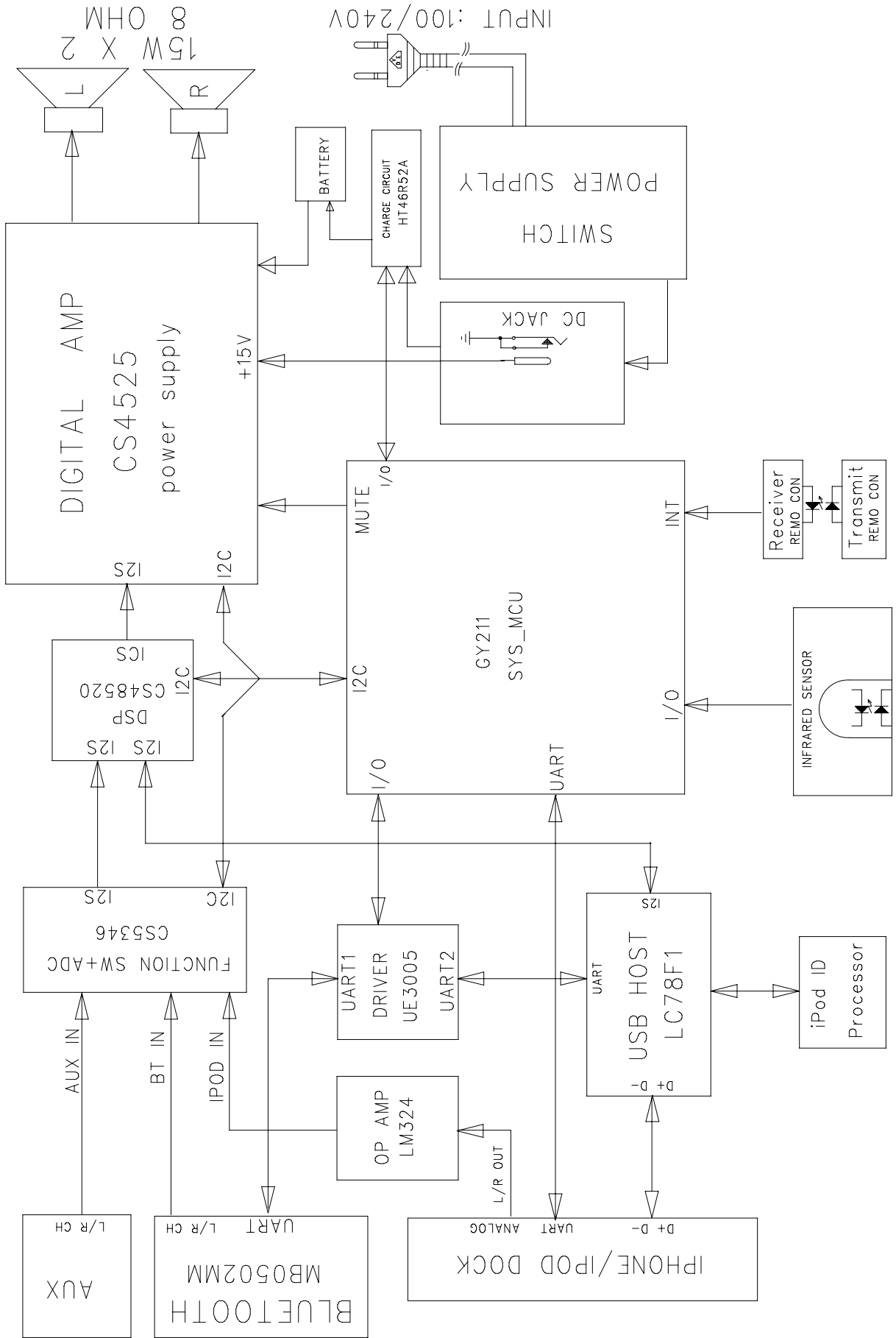
2.1.6 Short

Short terminals of battery is strictly prohibited, it may damage battery.

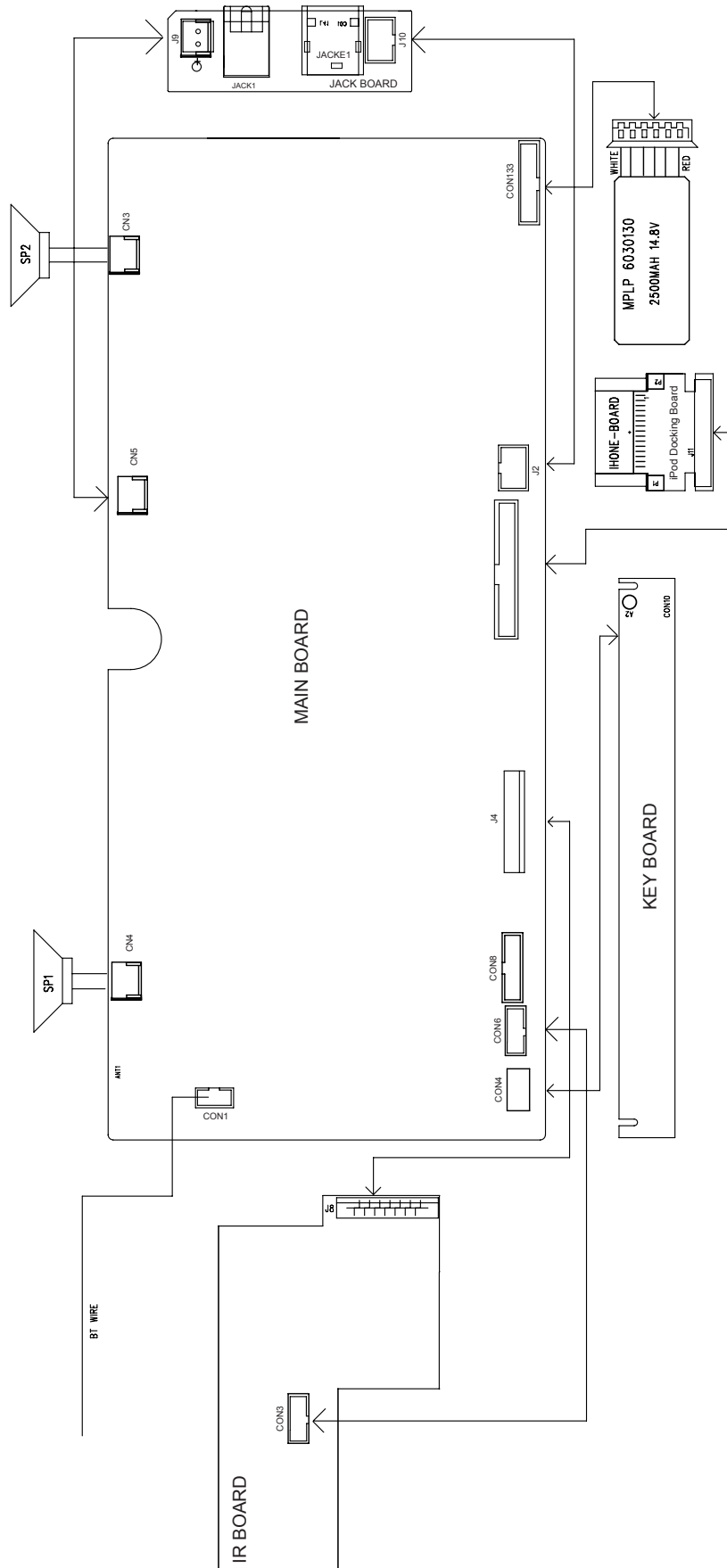
Caution

Danger of explosion if battery is incorrectly replaced. Replace only with the same or equivalent type.

BLOCK DIAGRAM

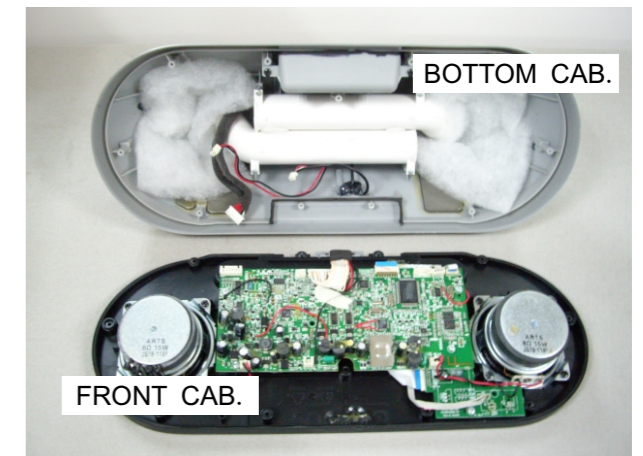


WIRING DIAGRAM

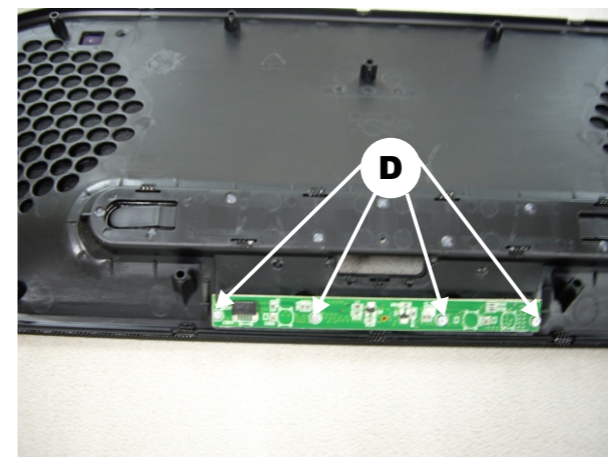
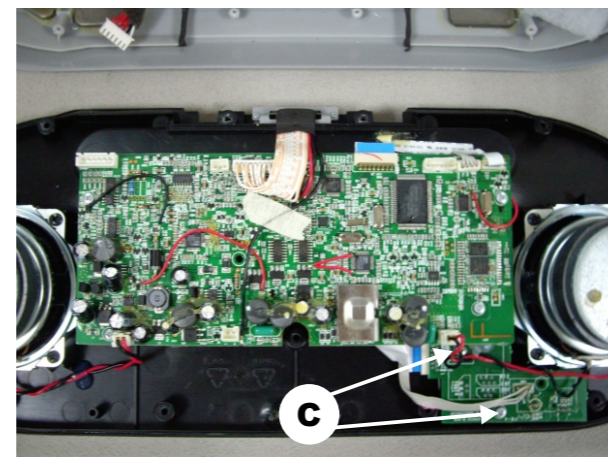
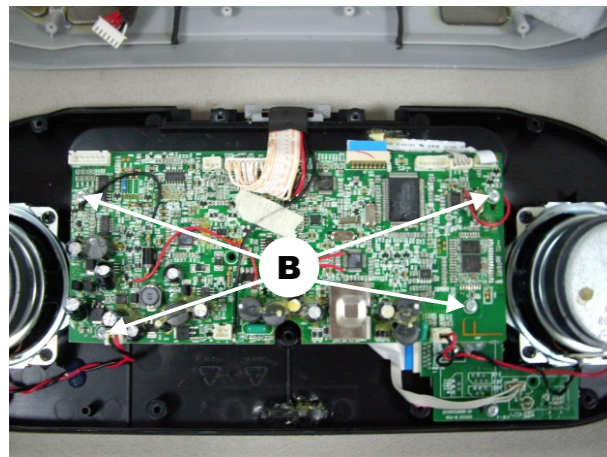


DISASSEMBLY DIAGRAM**Dismantling of the Bottom Cabinet**

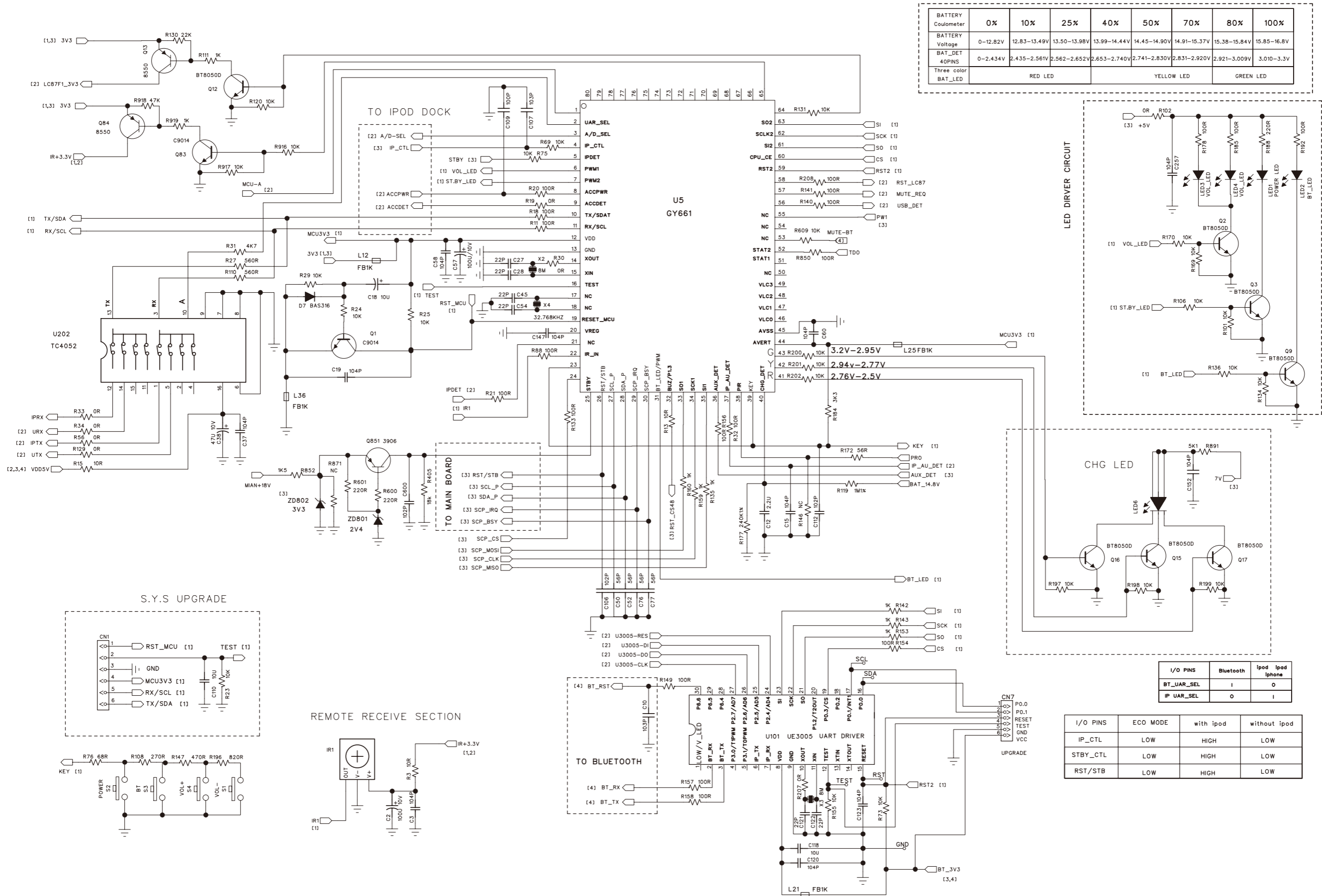
- 1) Remove the speaker grill as indicated.
- 2) Remove 11 screws A as indicated to loosen the Bottom Cabinet.

**Dismantling of the PCB Board.**

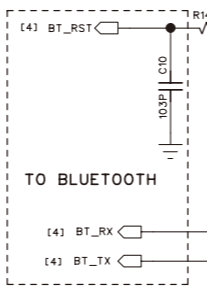
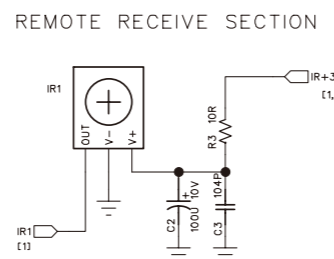
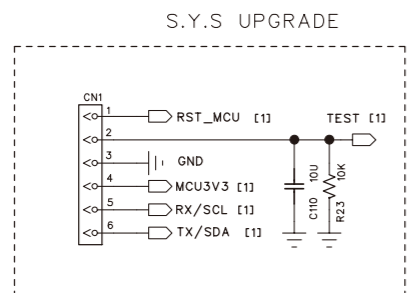
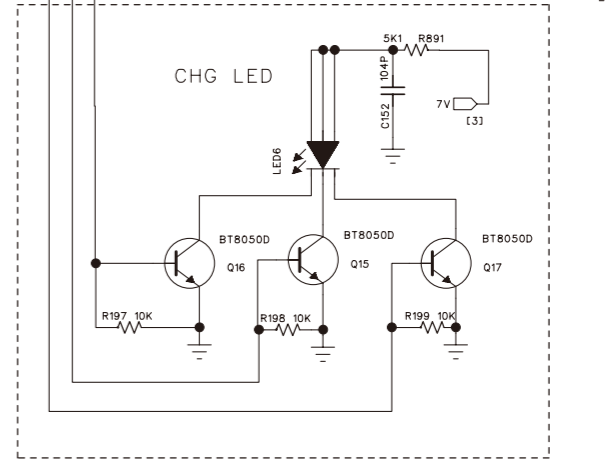
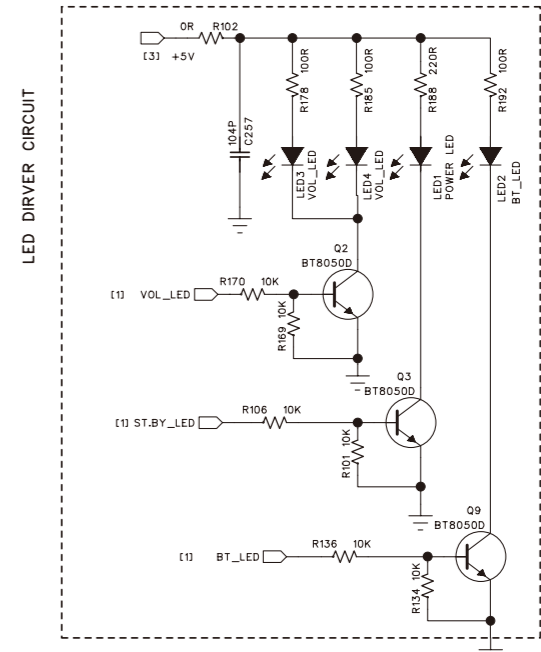
- 1) Remove 4 screws B as indicated to loosen the Main Board.
- 2) Remove 2 screws C as indicated to loosen the IR Board.
- 3) Remove 4 screws D as indicated to loosen the Key Board.



CIRCUIT DIAGRAM - MAIN BOARD MCU PART



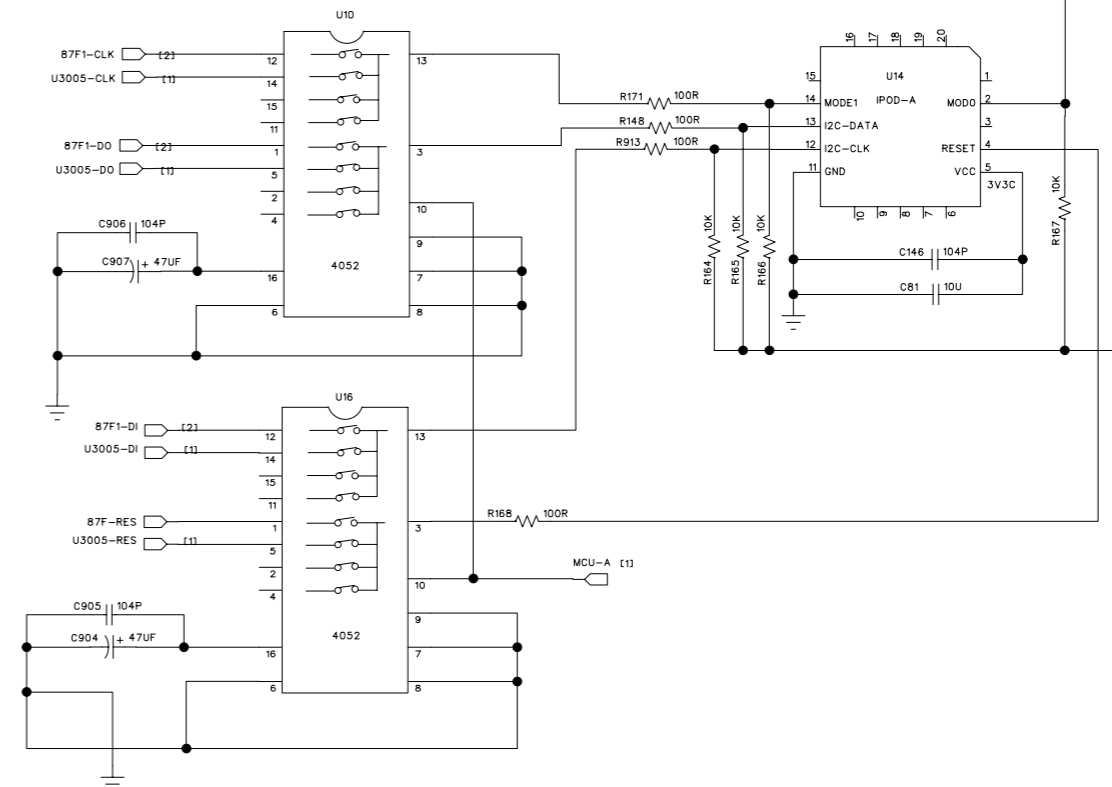
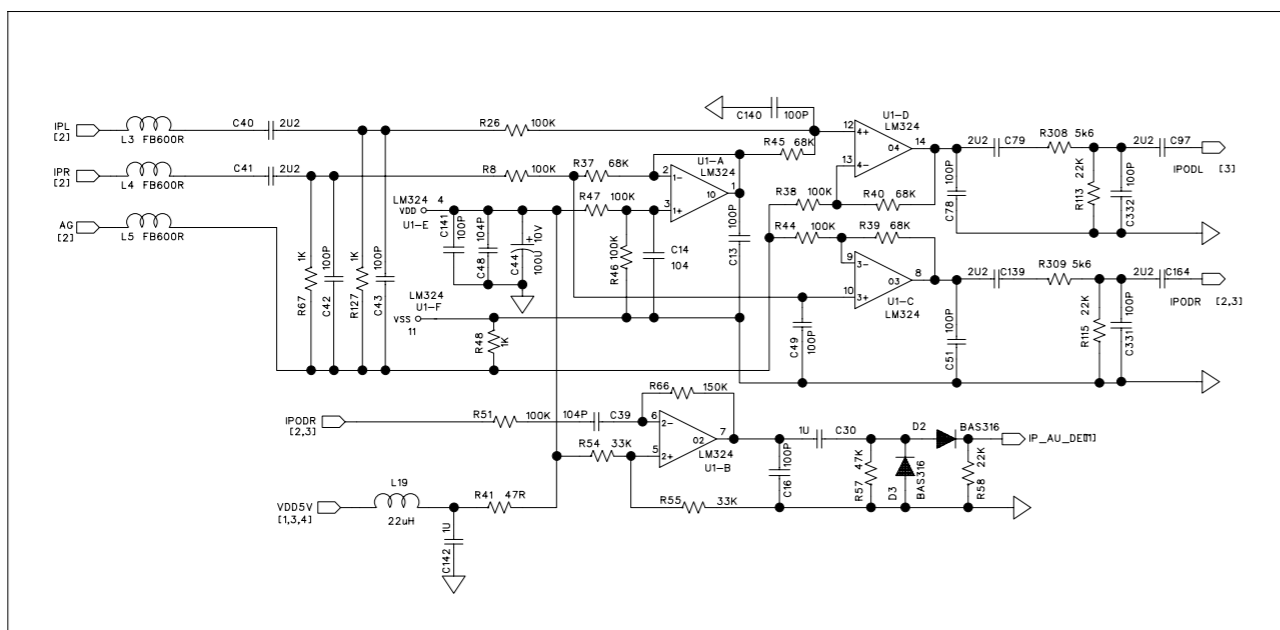
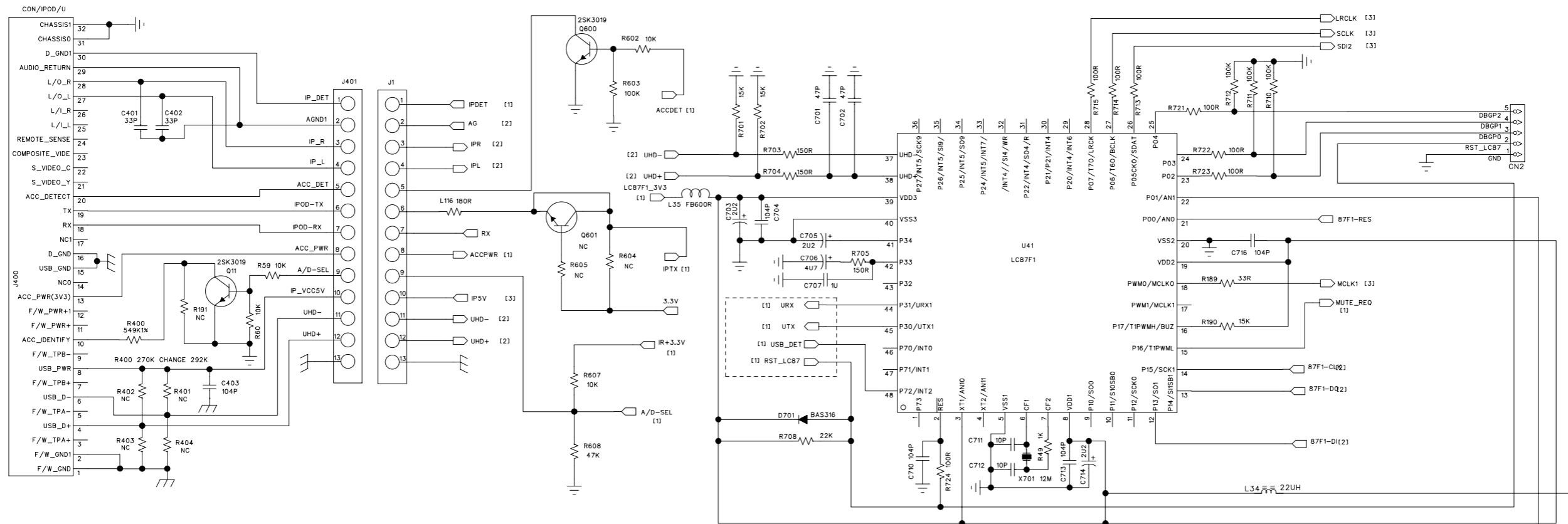
BATTERY Coulometer	0%	10%	25%	40%	50%	70%	80%	100%
BATTERY Voltage	0-12.82V	12.83-13.49V	13.50-13.98V	13.99-14.44V	14.45-14.90V	14.91-15.37V	15.38-15.84V	15.85-16.8V
BAT_DET 40PINS	0-2.434V	2.435-2.561V	2.562-2.652V	2.653-2.740V	2.741-2.830V	2.831-2.920V	2.921-3.009V	3.010-3.3V
Three color BAT_LED	RED LED			YELLOW LED			GREEN LED	



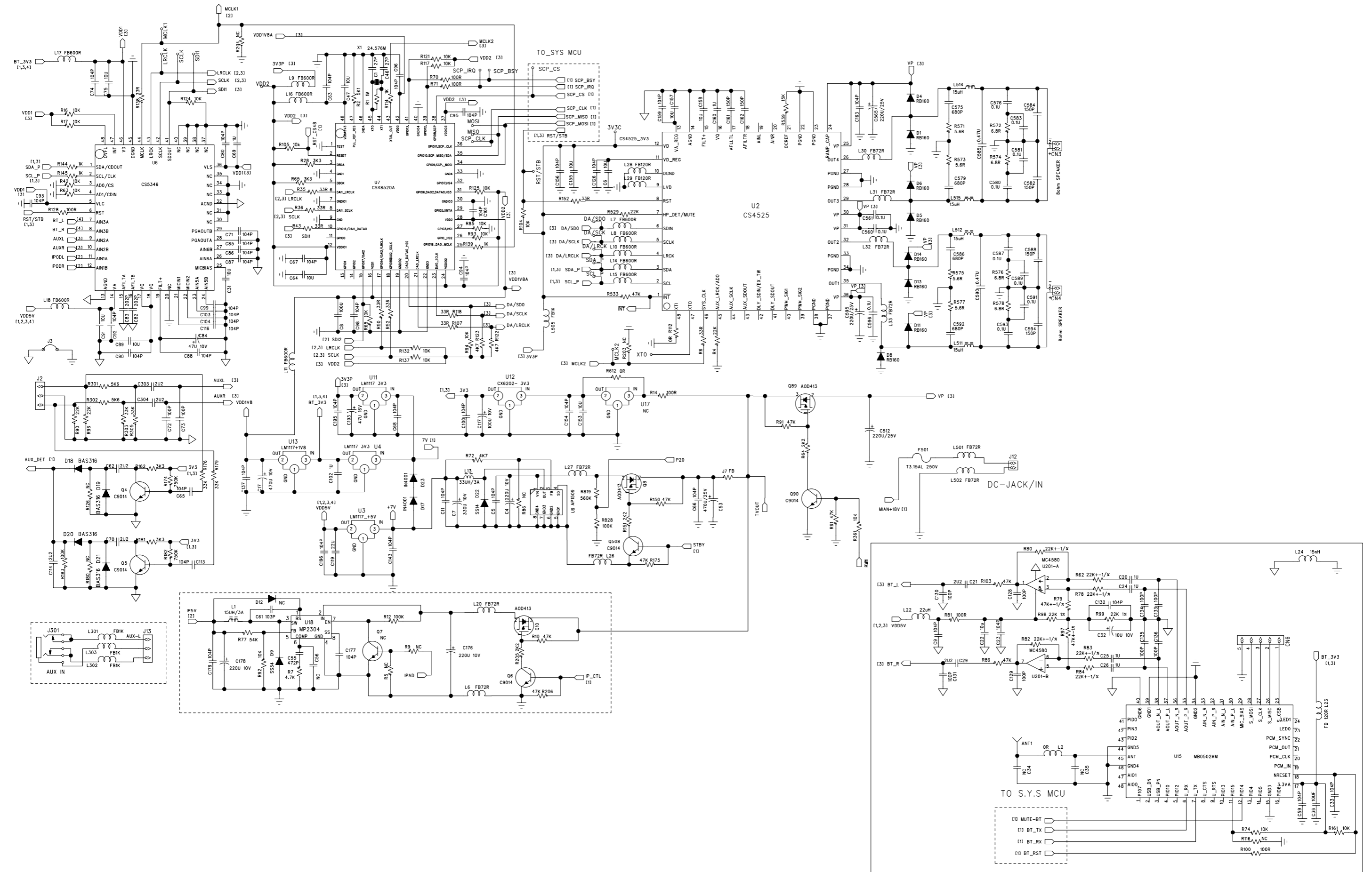
I/O PINS	Bluetooth	Ipad	Ipad Iphone
BT_UART_SEL	I	O	
IP_UART_SEL	O	I	

I/O PINS	ECO MODE	with ipod	without ipod
IP_CTL	LOW	HIGH	LOW
STBY_CTL	LOW	HIGH	LOW
RST/STB	LOW	HIGH	LOW

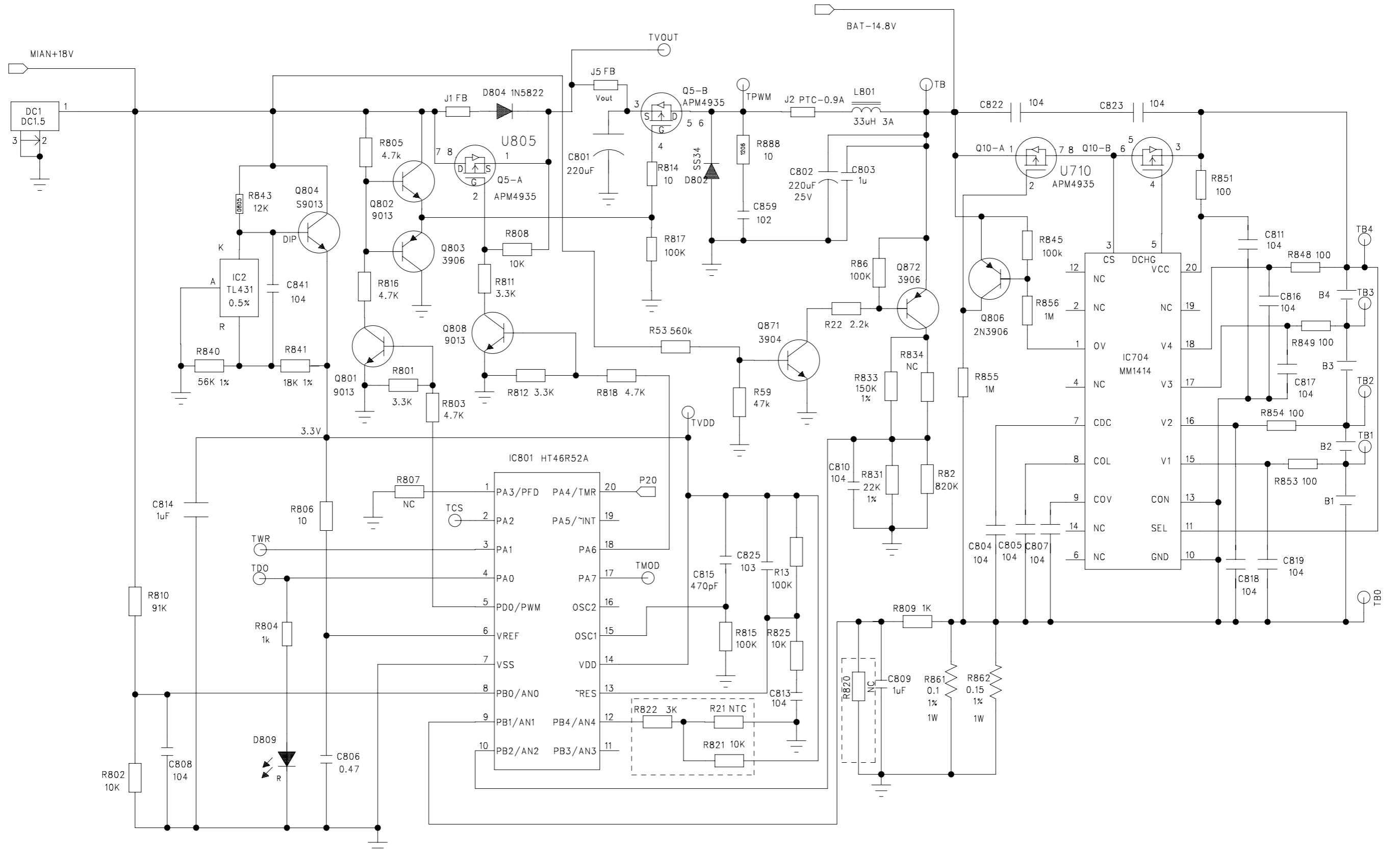
CIRCUIT DIAGRAM - MAIN BOARD iPod DOCKING AND BLUETOOTH PART



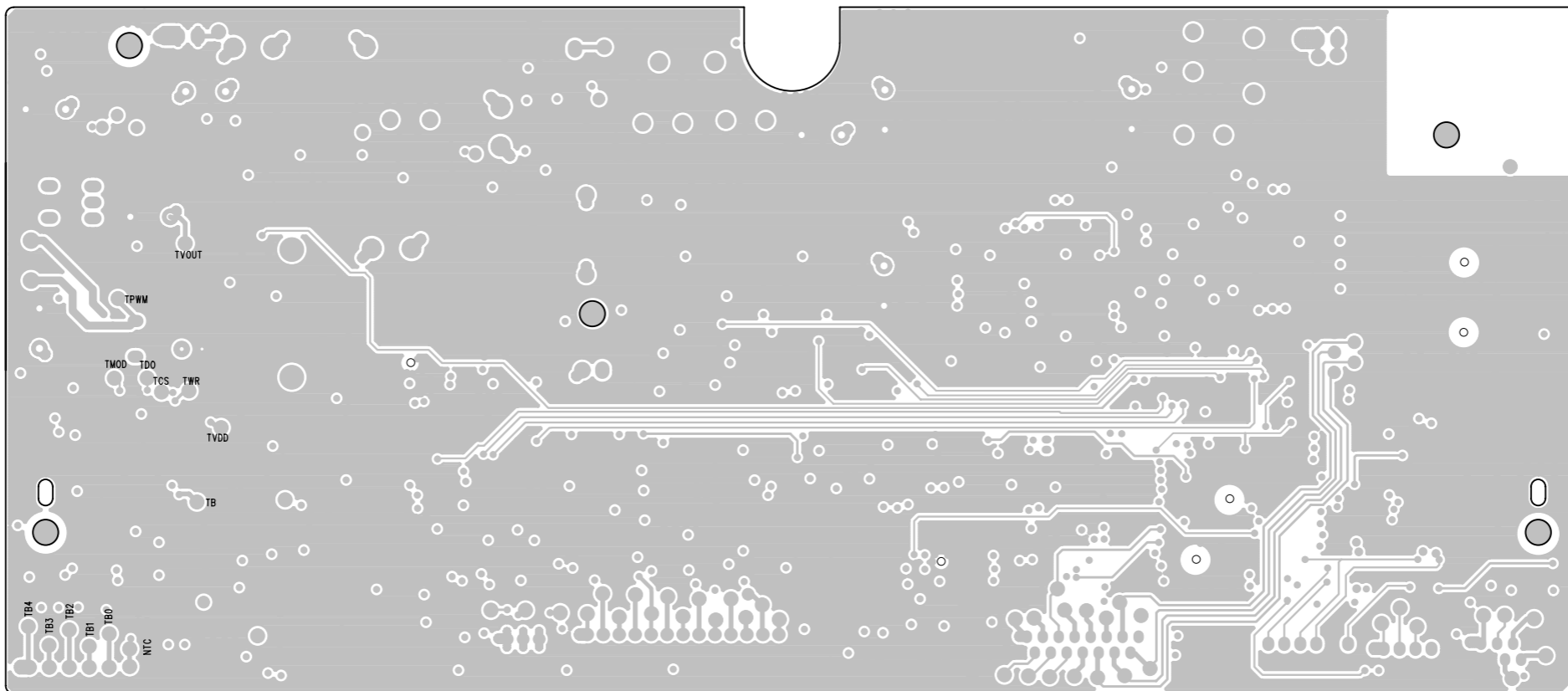
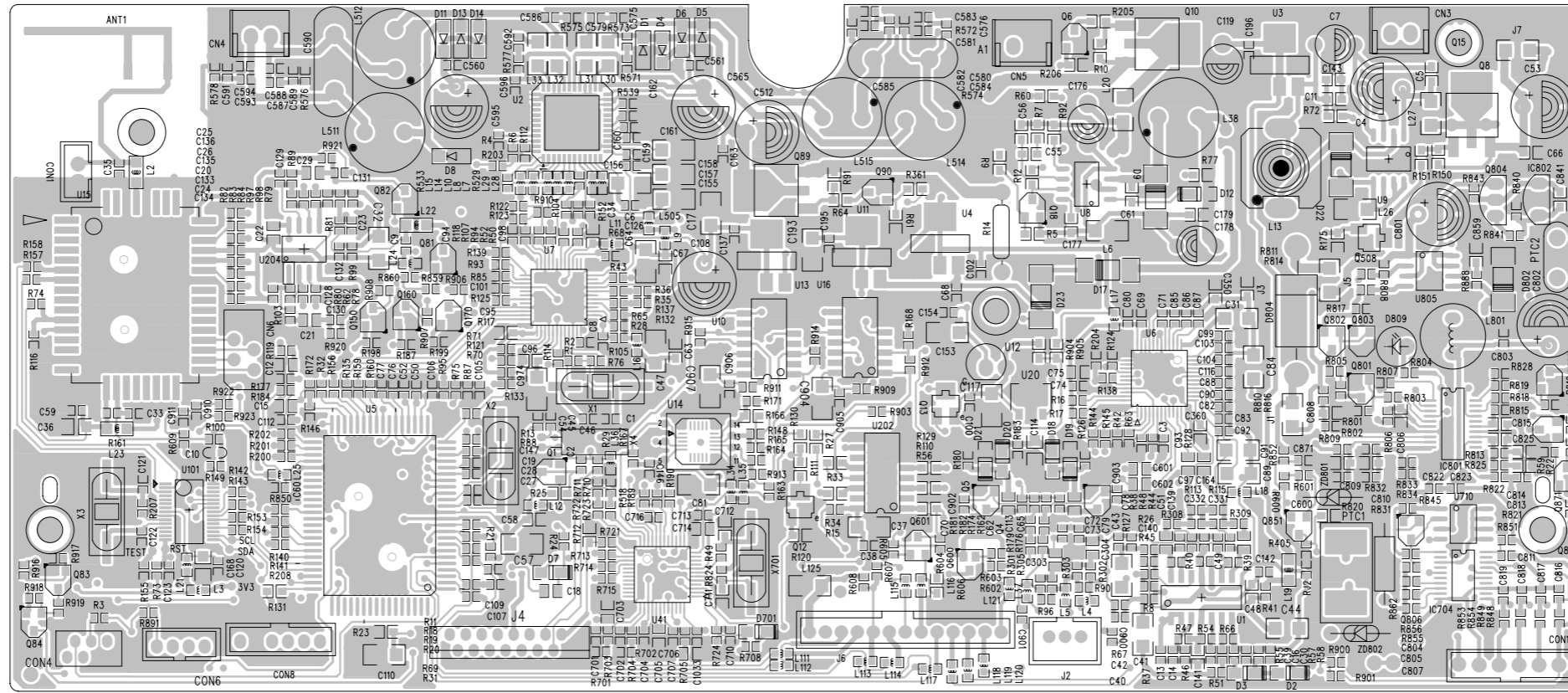
CIRCUIT DIAGRAM - MAIN BOARD POWER AMP



CIRCUIT DIAGRAM - MAIN BOARD CHARGE PART



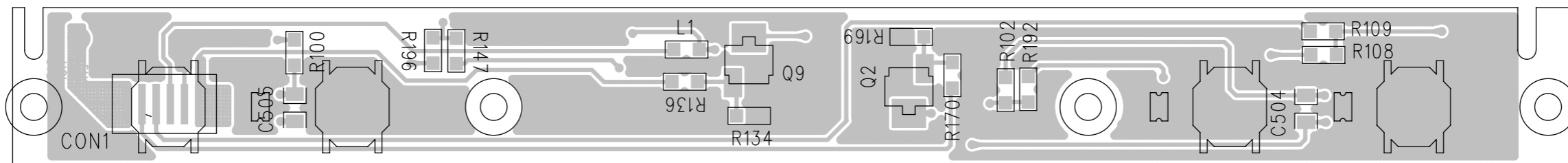
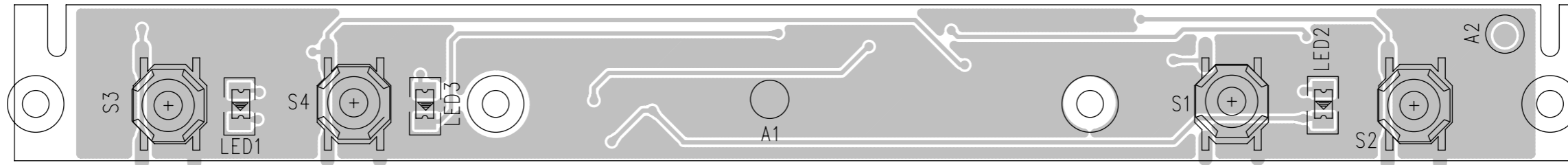
PCB LAYOUT - MAIN BOARD



PCB LAYOUT - KEY BOARD

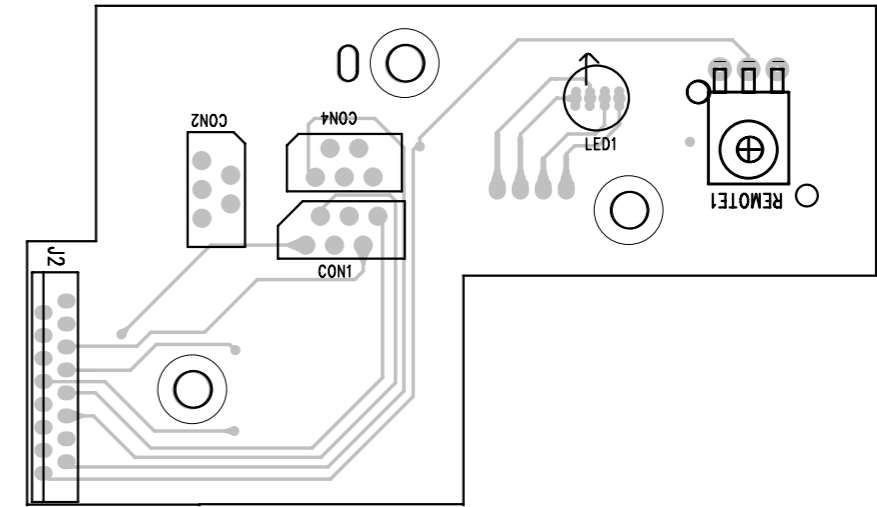
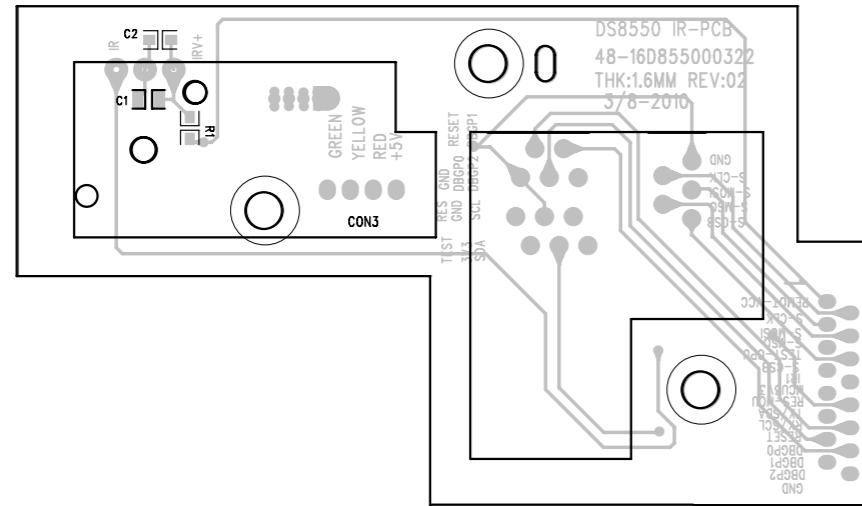
6-6

6-6

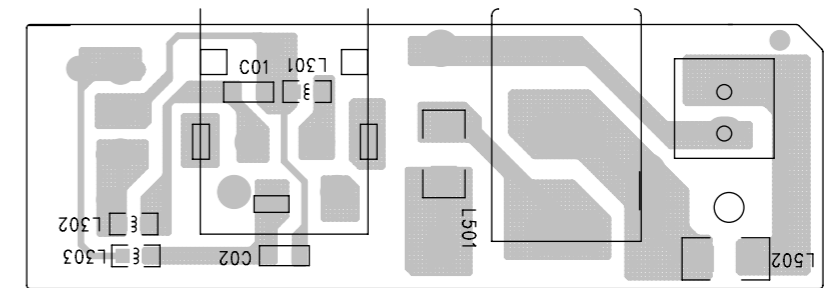
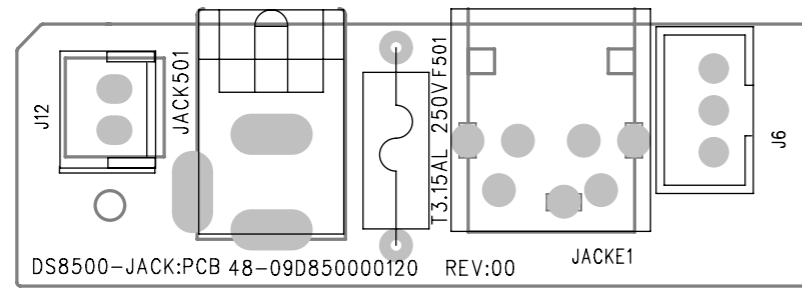


PCB LAYOUT - IR BOARD/iPod DOCKING BOARD/JACK BOARD

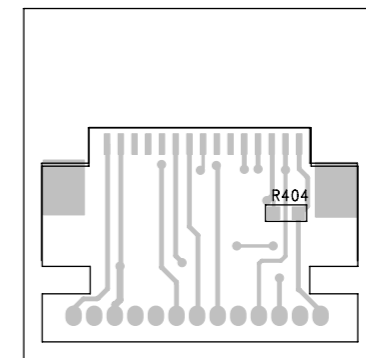
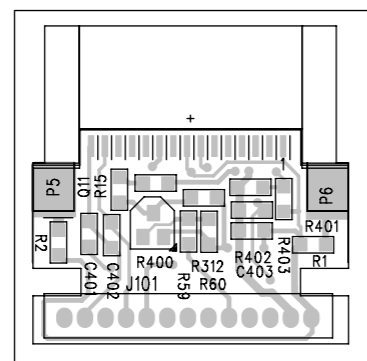
IR BOARD



JACK BOARD



iPod DOCKING BOARD



EXPLODED VIEW

7-1

7-1

